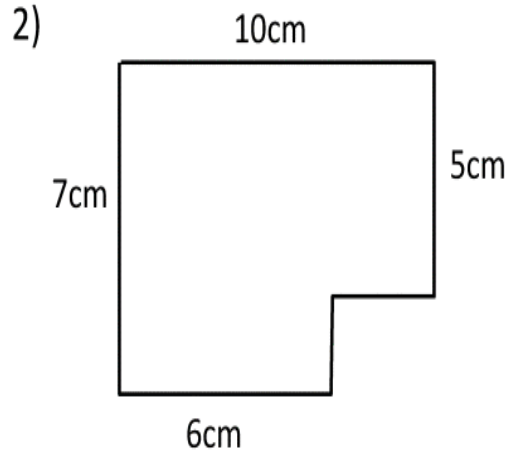
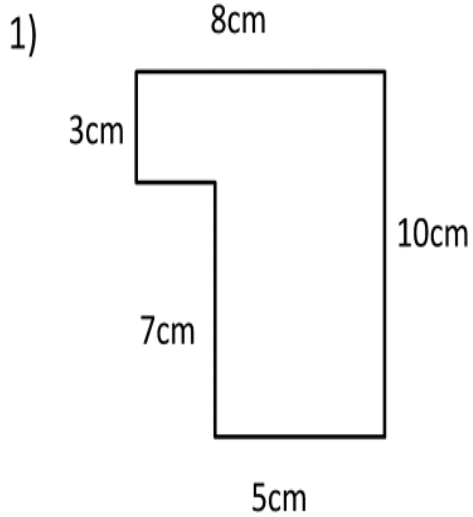


Math Blog Workseet – Year 4

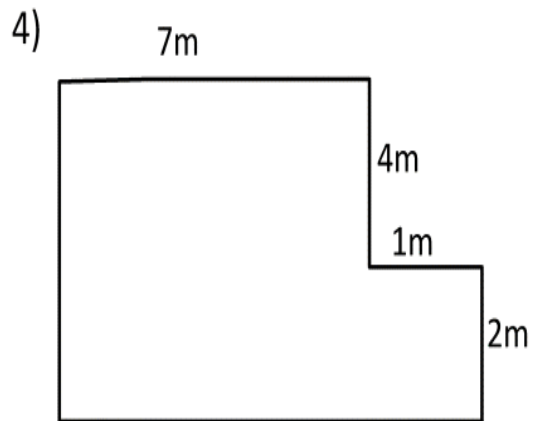
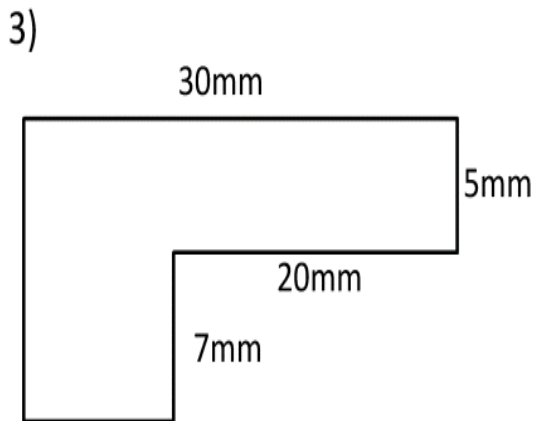
Topic:AREA

Work out the area of the following shapes by dividing them into rectangles. They are not to scale.



Area = _____ square cm (cm²)

Area = _____ square cm (cm²)

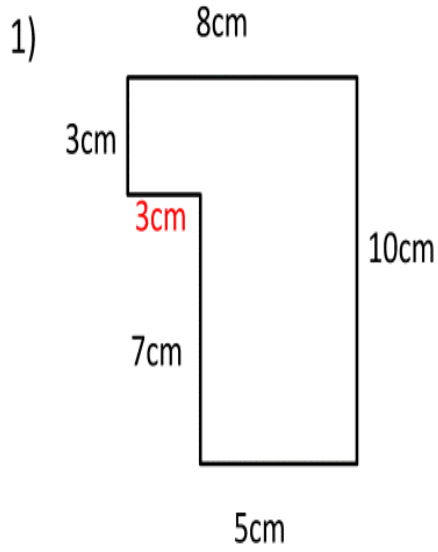


Area = _____ square mm (mm²)

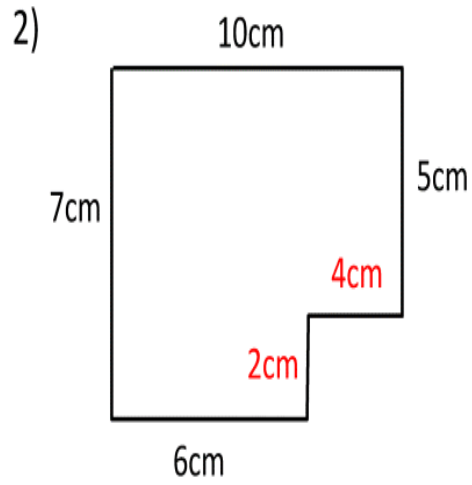
Area = _____ square m (m²)

Handy hint: Area = Length x Width of a rectangle

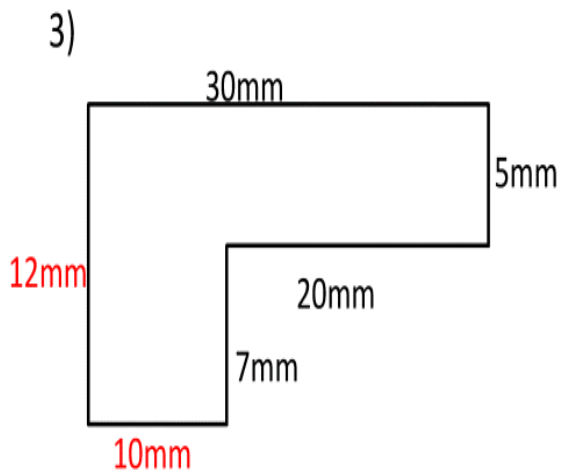
Answers



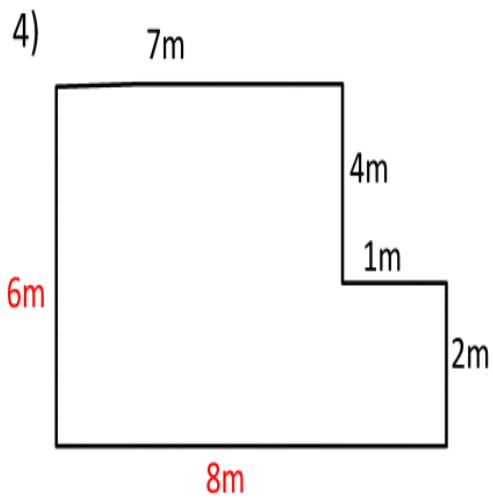
Area = 59 square cm (cm^2)



Area = 62 square cm (cm^2)



Area = 220 square mm (mm^2)



Area = 44 square m (m^2)