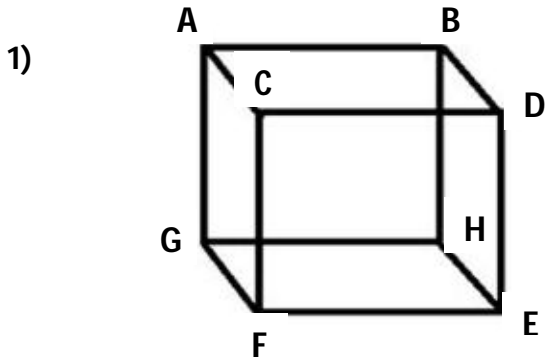


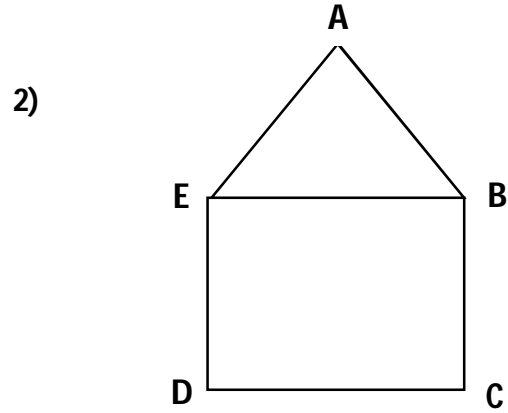
**Mathematics**  
**Blog worksheet**  
**Year 3**

**Q1. Identify the horizontal and vertical lines in each figure.**



Horizontal = \_\_\_\_\_

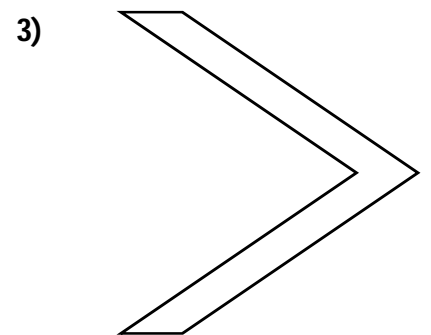
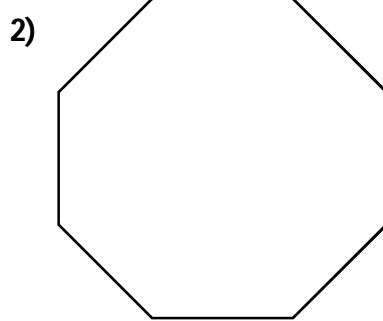
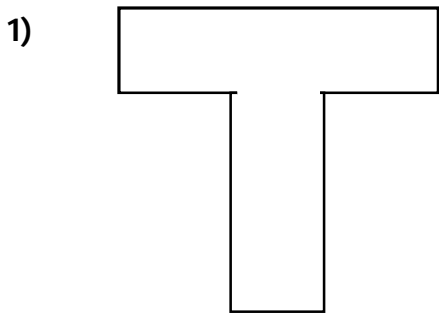
Vertical = \_\_\_\_\_



Horizontal = \_\_\_\_\_

Vertical = \_\_\_\_\_

**Q2. Draw one line of symmetry in each shape.**



## Answer Key

Q1.

1) Horizontal = AB, CD, EF, GH  
Vertical = AG, BH, CF, DE

2) Horizontal = EB, DC  
Vertical = BC, ED

Q2.

1)

