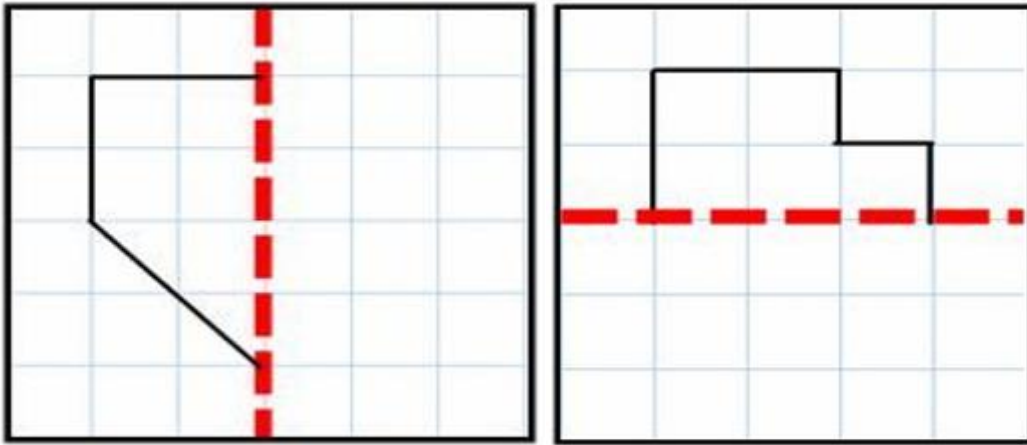


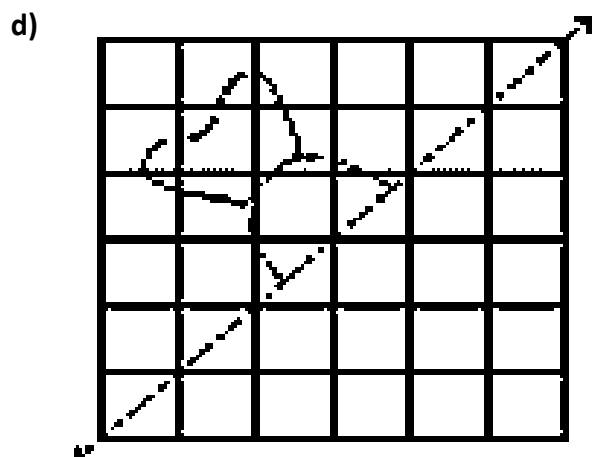
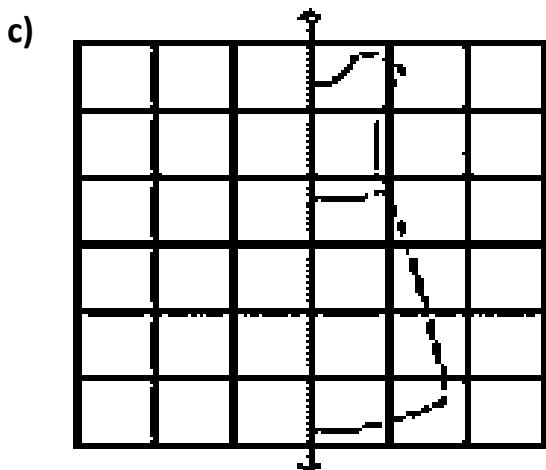
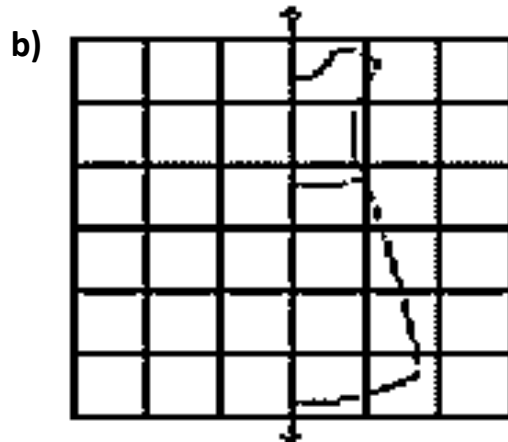
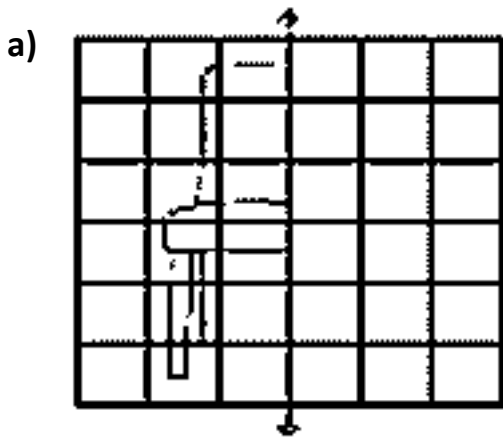
D and R – Lines of Symmetry

Complete these shapes, would the whole shape look like?



Mirror Image:

Draw the other half of each symmetrical figure.



*The City School*  
PAF Chapter, Junior Section  
Mathematics Worksheet – Year 4

